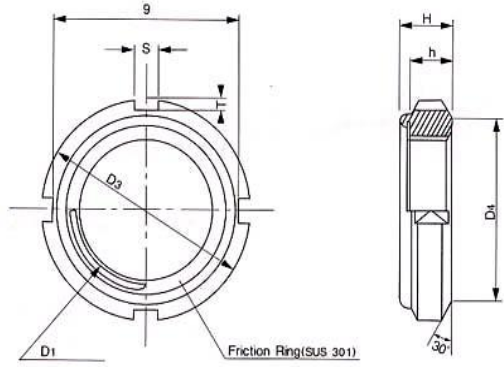


FINE U-UNT规格表



摩擦片材质: SUS301

产品编号			螺纹	尺寸 (mm)							端面垂直度
SC系列 (材质S45C)	SS系列 (材质SS400)	SUS系列 (材质SUS304)		D3	D4	g	T	S	h	H	
-	FUM8SS	-	M8X0.75	16	12	13	1.5	3	4.3	5.3	MAX 0.05
FU00SC	FU00SS	FU00SUS	M10X0.75	18	13.5	14.4	1.8	3	4	5.2	
FU01SC	FU01SS	FU01SUS	M12X1	22	17	18.4	1.8	3	4	5.4	
FU02SC	FU02SS	FU02SUS	M15X1	25	21	21.4	1.8	4	5	6.5	
FU03SC	FU03SS	FU03SUS	M17X1	28	24	24.2	1.9	4	5	6.4	
FU04SC	FU04SS	FU04SUS	M20X1	32	26	28.4	1.8	4	6	7.7	
FU05SC	FU05SS	FU05SUS	M25X1.5	38	32	34	2	5	7	9.1	
FU06SC	FU06SS	FU06SUS	M30X1.5	45	38	41	2	5	7	9.1	
FU07SC	FU07SS	FU07SUS	M35X1.5	52	44	48	2	5	8	10.2	
FU08SC	FU08SS	FU08SUS	M40X1.5	58	50	53	2.5	6	9	11.2	
FU09SC	FU09SS	FU09SUS	M45X1.5	65	56	60	2.5	6	10	12.5	
FU10SC	FU10SS	FU10SUS	M50X1.5	70	61	65	2.5	6	11	13.5	
FU11SC	FU11SS	FU11SUS	M55X2	75	67	69	3	7	11	13.5	MAX 0.07
FU12SC	FU12SS	FU12SUS	M60X2	80	73	74	3	7	11	13.5	
FU13SC	FU13SS	FU13SUS	M65X2	85	79	79	3	7	12	15	
FU14SC	FU14SS	FU14SUS	M70X2	92	85	85	3.5	8	12	15	
FU15SC	FU15SS	FU15SUS	M75X2	98	90	91	3.5	8	13	15.8	
FU16SC	FU16SS	FU16SUS	M80X2	105	95	98	3.5	8	15	18.6	
FU17SC	FU17SS	FU17SUS	M85X2	110	102	103	3.5	8	16	19.2	
FU18SC	FU18SS	FU18SUS	M90X2	120	108	112	4	10	16	20.3	
FU19SC	FU19SS	FU19SUS	M95X2	125	113	117	4	10	17	21.3	
FU20SC	FU20SS	FU20SUS	M100X2	130	120	122	4	10	18	22.3	
FU21SC			M105X2	140	126	130	5	12	18	22.3	
FU22SC			M110X2	145	133	135	5	12	19	23.3	
FU23SC			M115X2	150	137	140	5	12	19	23.3	
FU24SC			M120X2	155	138	145	5	12	20	24.3	
FU25SC			M125X2	160	148	150	5	12	21	25.4	MAX 0.10
FU26SC			M130X2	165	149	155	5	12	21	25.4	
FU27SC			M135X2	175	160	163	6	14	22	26.6	
FU28SC			M140X2	180	160	168	6	14	22	26.6	
FU29SC			M145X2	190	171	178	6	14	24	28.6	
FU30SC			M150X2	195	171	183	6	14	24	28.3	